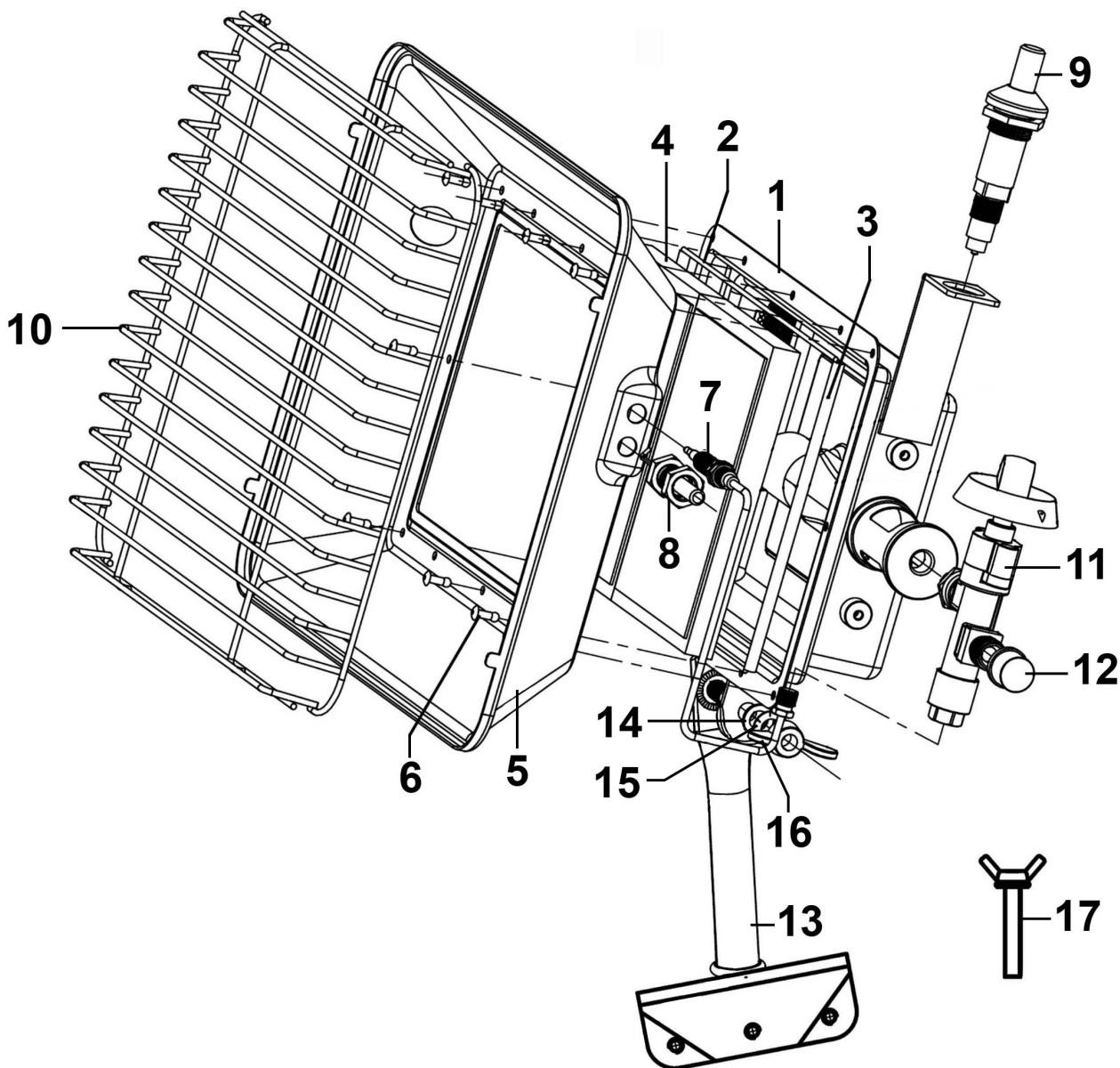


Parts Information:
Space Warmer® Propane Heater 10,250-15,354Btu/hr Bottle Mounting
Model No: LP13.V4



Item	Part No.	Description
1	LP13.V4-01	Base
2	LP13.V4-02	Gasket Seal
3	LP13.V4-03	Gasket Seal
4	LP13.V4-04	Heat Ceramic Plate
5	LP13.V4-05	Aluminium Tray
6	LP13.V4-06	Rivet
7	LP13.V4-07	Thermocouple
8	LP13.V4-08	Ignition Needle
9	LP13.V4-09	Piezo Ignitor
10	LP13.V4-10	Front Guard

Item	Part No.	Description
11	LP13.V4-11	Gas Valve
12	LP13.V4-12	Gas Valve Knob
13	LP13.V4-13	Cylinder Stand
14	FWM8.S	Flat Washer M8 Zinc
15	SWM8.S	Spring Washer M8 Zinc
16	SN8.SW	Wing Nut M8 Zinc
17	LP13.V4-17	Wing Bolt M8
--	LP13.V4-GH	Gas Hose 700mm (Not Shown)
--	LP14.V3-R	Fixed Regulator 37Mbar (Not Shown)

NOTE: It is our policy to continually improve products and as such we reserve the right to alter data, specifications and component parts without prior notice. There may be alternative versions of this product, please contact us should you require this information.

IMPORTANT: No liability is accepted for incorrect use of product. Spare parts must be fitted by a competent person

WARRANTY: Guarantee is 12 months from purchase date, proof of which will be required for any claim.